

BIO-CEL[®] M+100

Scope of Supply

The BIO-CEL[®] MBR product is ideal for biological wastewater treatment in industrial and municipal applications. This product specification sheet provides details about the standard scope of supply, available accessories, and spare parts of BIO-CEL M+100 modules.

Shipment dimensions and container transport information are on page 2. BIO-CEL M+100 modules are shipped on a wooden pallet and cardboard box. Part numbers in the below table are the standard scope of supply. For details about available accessories please see page 3 and for spare parts please see page 4.

Part Number	Module Name	Comments
1000022498	BIO CEL M+100	1.4301/304 (V2A), Permeate port with D90mm SDR 13.6/ PN16, PVC-U pipe end, Air port with D90mm SDR 11 /PN10, Polypropylene pipe end (DN80 Flange adapter available for Air and Permeate as accessory).
1000022764	BIO CEL M+100 SS316	1.4571/316Ti (V4A), Permeate port with D90mm SDR 13.6/ PN16, PVC-U Pipe end, Air port with D90mm SDR 11 /PN10, Polypropylene pipe end (DN80 Flange adapter available for Air and Permeate as accessory).

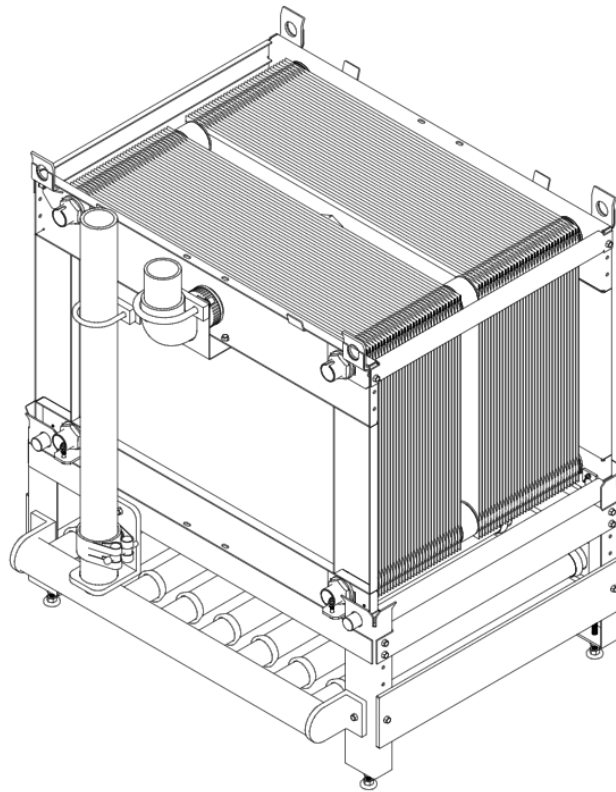


Figure 1. BIO-CEL M+100 scope of supply

BIO-CEL M+100

Packaging & Dimensions

Wooden pallet + Cardboard box shipment dimensions

	Length	Width	Height	Weight
BIO-CEL M+100	1,275 mm (4.2 ft)	1,130 mm (3.7 ft)	1,498 mm (4.9 ft)	150 kg (330 lb)

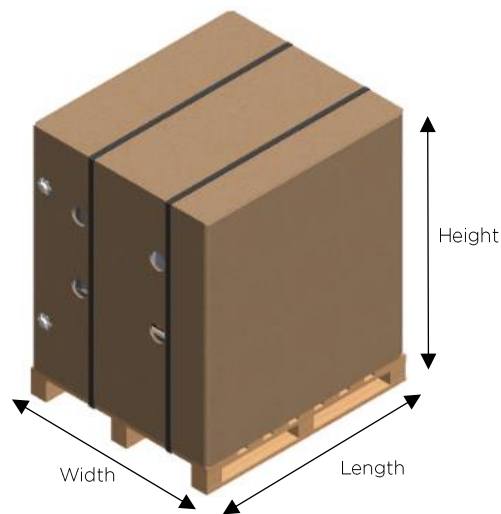
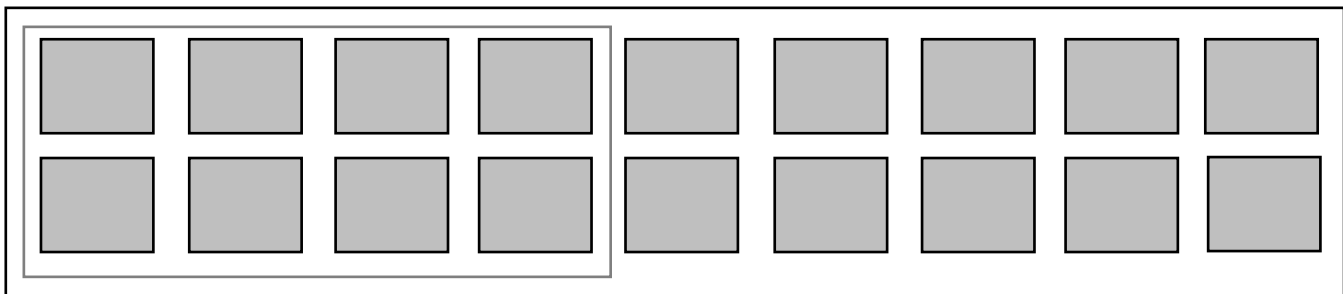


Figure 2. BIO-CEL M+100 in transport packaging

Regular container inner dimensions

	Length	Width	Height	Shipping capacity
20 ft container	5,898 mm (19.4 ft)	2,350 mm (7.7 ft)	2,392 mm (7.8 ft)	8 pcs. BIO-CEL M+100
40 ft container	12,032 mm (39.5 ft)	2,350 mm (7.7 ft)	2,392mm (7.8 ft)	18 pcs. BIO-CEL M+100
Door opening	-	2,340 mm (7.7 ft)	2,292 mm (7.5 ft)	



BIO-CEL M+100

Accessories

To ensure proper installation and operation of BIO-CEL MBR modules, additional accessories may be necessary. The following accessories listed are available on request.

Position	Part Number	Accessory	Material / Comment
A1	1000022768	BIO CEL M+ Guide Brackets Set	Stainless steel 1.4571/316Ti (V4A)
A2	1000022769	BIO-CEL M+ Lifting Tool	Stainless steel 1.4301/304 (V2A)
A3	1000022770	BIO-CEL M+ Air Pipe Extension Kit GP	DN80 polypropylene flange adaptor including grip clamp
A4	1000022771	BIO-CEL M+ Permeate Pipe Extension Kit GP	DN80 PVC flange adaptor Including grip clamp
A5	1000022772	BIO-CEL M+ Ground Fixation Set	Set of 4 brackets including screws and nuts, Stainless steel 1.4571/316Ti (V4A)

Please note that wall fixation and lifting and guiding systems are not standard scope of supply, but concept drawings can be provided on request.

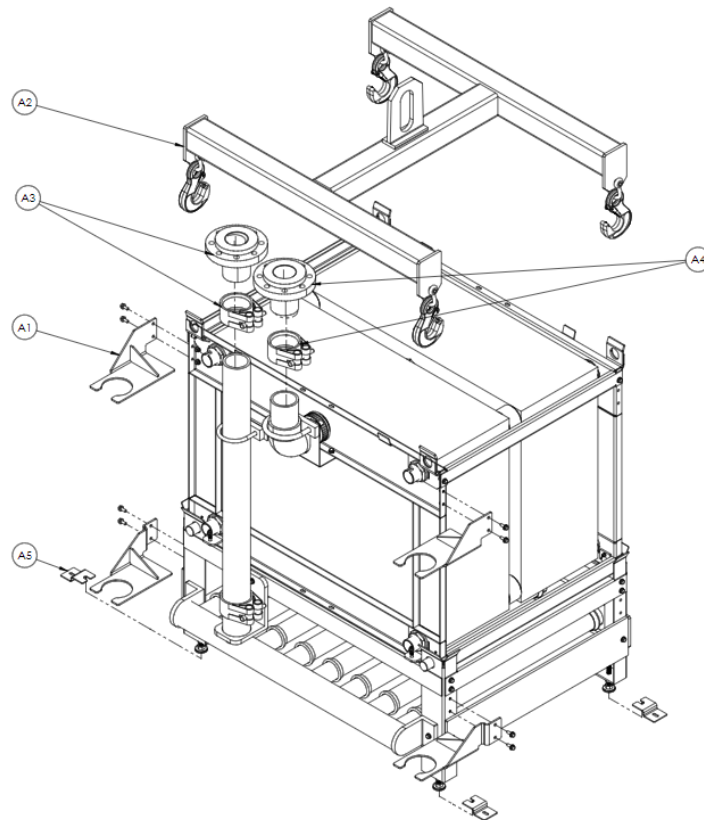


Figure 3. BIO-CEL M+100 Accessories

BIO-CEL M+ 100

Spare Parts

Position	Part Number	Spare Part	Remarks
S1	1000022773	BIO-CEL M+ 100 Cassette	Stainless steel 1.4301/304 (V2A)
	1000022776		Stainless steel 1.4571/316Ti (V4A)
S2	1000022777	BIO-CEL M+ 100 Air Piping Set	Polypropylene pipe end 90mm diameter SDR11/PN10
S3	1000022778	BIO-CEL M+ 100 Permeate Piping Set	PVC-U grey pipe end 90mm diameter SDR13,6/PN16
S4	1000022782	BIO-CEL M+ Diffuser Grid Incl. Diffuser Hoses	Polypropylene (Grid) silicone (Hoses)
S5	1000022783	BIO-CEL M+ Diffuser Hose Set SIL	Set consists of 8 silicone hoses, ear clamps, glue strips (changing diffuser hoses requires tool below)
-	1000001439	BIO-CEL Diffusor Hose Tool	Pliers for assembly of ear clamps
-	1000022784	BIO-CEL M+ O-ring Set	O-Ring specifications, Material: EPDM (4x)-Di 47.3x2.62 , (2x)-Di 59.69x5.34 & (2x)-Di 56.74x3.53
-	1000022828 1000022829	BIO-CEL M+200 Extension Kit BIO-CEL M+200 Extension Kit SS316	Kit consists of M+100 cassette, Locking pins and Piping needed to upgrade existing M+ 100 to M+200

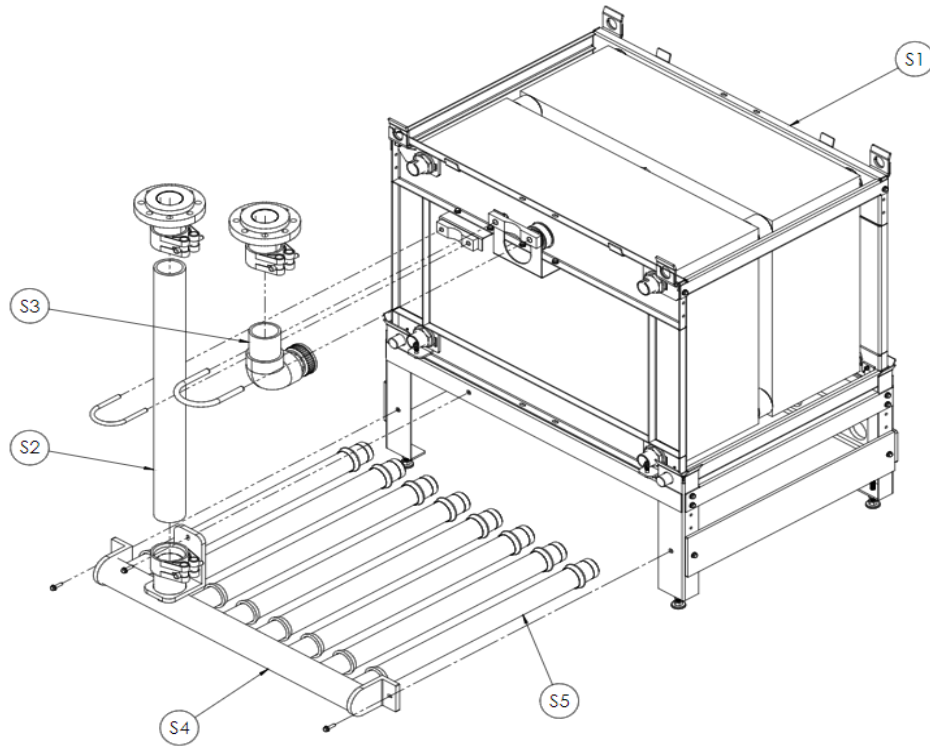


Figure 4. BIO-CEL M+100 Spare parts

Contact

Europe

Germany: +49 611 962 6001
Italy: +39 0721 1796201
info.wfs@mann-hummel.com

Americas

USA: +1 805 964 8003
sales.mnus@microdyn-nadir.com

Asia

APAC: +65 6457 7533
info.wfs@mann-hummel.com
China: +86 10 8413 9860
waterchina@mann-hummel.com