

# BIO-CEL® 104

## Scope of Supply, Accessories & Spare Parts

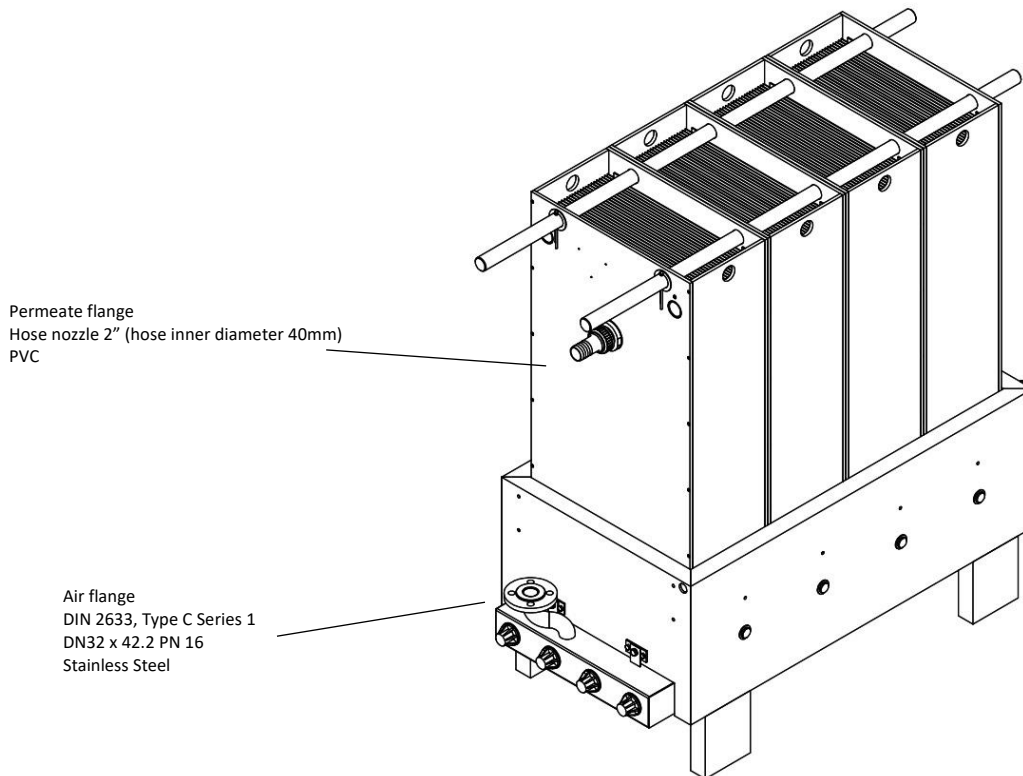
### BIO-CEL® 104 SCOPE OF SUPPLY

The BIO-CEL® MBR product is ideal for biological wastewater treatment in industrial and municipal applications. This product specification sheet provides details about the standard scope of supply, available accessories, and spare parts of BIO-CEL 104 modules.

Find shipment dimensions and container transport information on page 2. BIO-CEL 104 modules are shipped on wooden pallets. Part numbers in Table 1 are the standard scope of supply. For details about available accessories please see page 3; for spare parts please see page 4.

**Table 1.** Scope of supply

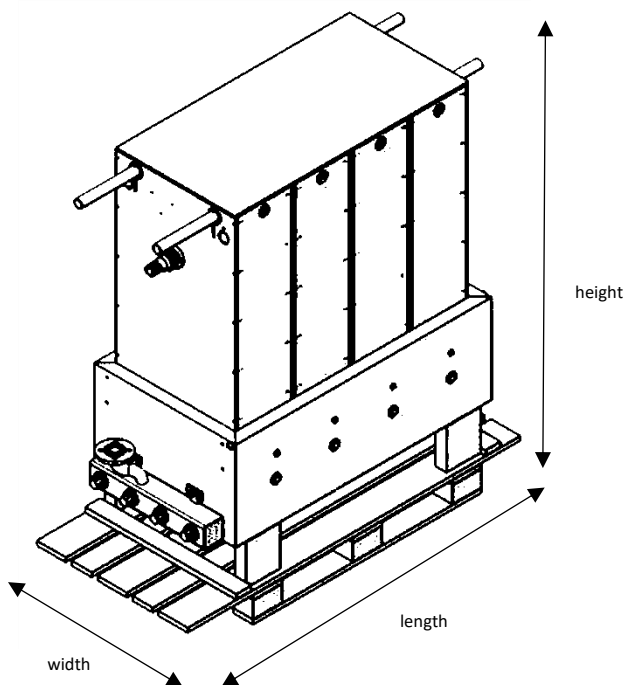
Part Number	Remarks
1000001417	Shipped on a wooden pallet



**Figure 1.** BIO-CEL® 104 scope of supply

**Table 2.** Wooden pallet shipment dimensions

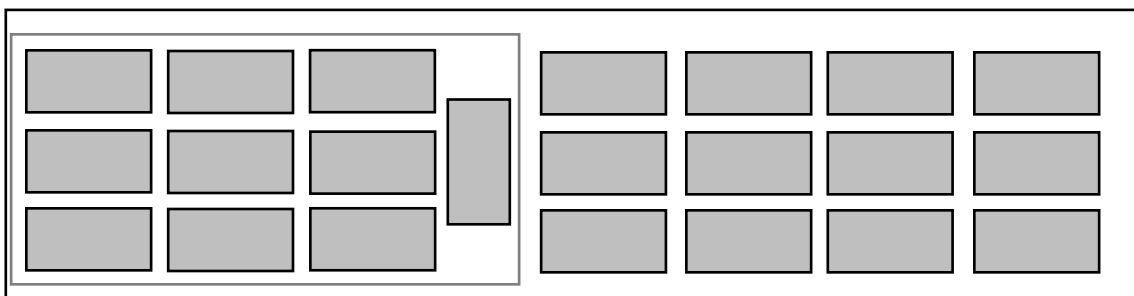
	length	width	height	weight
BIO-CEL® 104	1,600mm (5.2 ft)	745mm (2.4 ft)	1,713mm (5.6 ft)	260 kg (574 lb)



**Figure 2.** BIO-CEL® 104 in transport packaging

**Table 3.** standard container inner dimensions

	length	width	height
20 ft container	5,898mm (19.4 ft)	2,350mm (7.7 ft)	2,360mm (7.7 ft)
40 ft container	12,032mm (39.5 ft)	2,350mm (7.7 ft)	2,360mm (7.7 ft)
Door opening	-	2,340mm (7.7 ft)	2,280mm (7.5 ft)



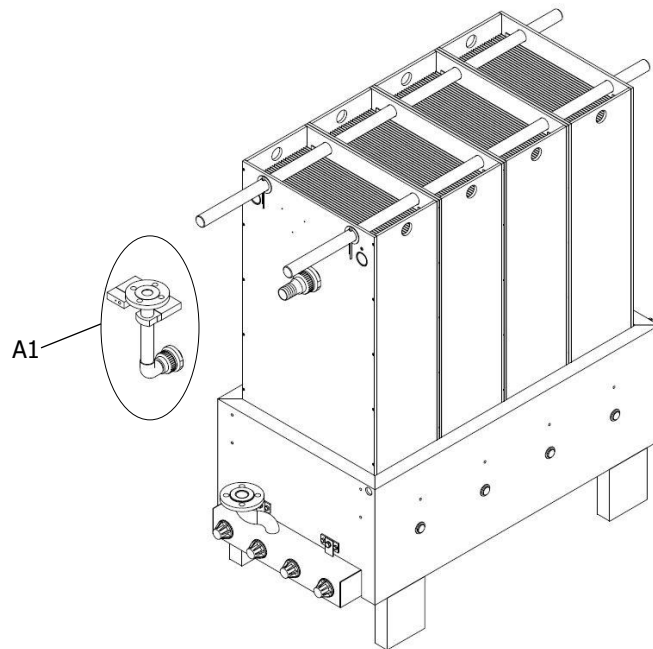
**Figure 3.** BIO-CEL® 104 arrangement in 20/40 ft container (10 / 21 pcs capacity)

**BIO-CEL® 104 ACCESSORIES**

To ensure proper installation and operation of BIO-CEL® MBR modules, certain accessories are necessary. These accessories are listed in Table 4 and may be purchased or produced by a third-party supplier. Detailed drawings are available on request.

**Table 4. Accessories**

Position	Part Number	Drawing Numbers	Accessory	Remarks
A1	1000001405	-	BIO-CEL® 52/104 Permeate Set	Elbow: PVC DN32, PN16 incl. flat sealing and fastening material (drawings available)
-	On request	MN-0500-015-0000	BIO-CEL® 104 Lifting Tool	Drawing available
-	On request	MN-0500-018	BIO-CEL® 104 Hanging Traverse	Drawing available
-	On request	MN-0500-016-0000	BIO-CEL® 104 Lifting and Guiding System	Drawing available
-	On request	MN-0500-017	BIO-CEL® 104 Wall Fixation	Drawing available



**Figure 4. BIO-CEL® 104 exploded drawing of available accessories**

**BIO-CEL® 104 SPARE PARTS**

No spare parts are typically required for BIO-CEL® 104 modules within the first 5 years of operation. If spare parts are needed, they may be ordered as per Table 5.

**Table 5. Spare parts**

Position	Part Number	Spare Part	Remarks
S1a	1000001418	BIO-CEL® C26 Cassette Replacement for BIO-CEL® 52/104	Packed in set of 4 on pallet. PN is for a single cassette- use when ordering 4 (or multiple of 4) cassettes.
S1b	1000001419	BIO-CEL® C26 Cassette Replacement for BIO-CEL® 52/104	Packed in cardboard box. PN is for a single cassette- use when ordering 1 or 2 cassettes.
S2	1000001387	BIO-CEL® 104 Base Unit	spare part includes diffuser set
S3	1000001452	BIO-CEL® 104 Diffuser Set SIL	4 diffusers + connectors (Silicone)
	1000001465	BIO-CEL® 104 Diffuser Hose Set SIL	4 diffuser hoses + clamps without support pipe (Silicone)
-	1000002874	BIO-CEL® Diffuser Assembly Tool Set <sup>a</sup>	Torque wrench with special wrench socket
-	1000002876	BIO-CEL® star shaped socket	Special wrench socket only (for torque wrench to exchange single aerators)
-	1000001439	BIO-CEL® Diffusor Hose Tool	Tool needed for exchange of diffusor hoses
S4	1000001397	BIO-CEL® 104 Connection Set	Necessary to change cassettes
S5	On request	BIO-CEL® 52 /104 2" Hose Nozzle PVC	for hose inner diameter 40 mm
S6	On request	Lifting Bars	Incl. steel parts
S7	1000001405	BIO-CEL® 52/104 Permeate Set	Elbow: PVC DN32, PN16 incl. flat sealing and fastening material (drawings available)
-	1000001395	BIO-CEL® 52/104 Gasket Set	5x O-ring EPDM, 2x DN32 flat gasket EVA, 1x flat gasket EPDM
-	On request	BIO-CEL® 52/104 Steel Parts	1.4571/SS316Ti

a A normal torque wrench may be used. Drawings for the special wrench socket are available on request.

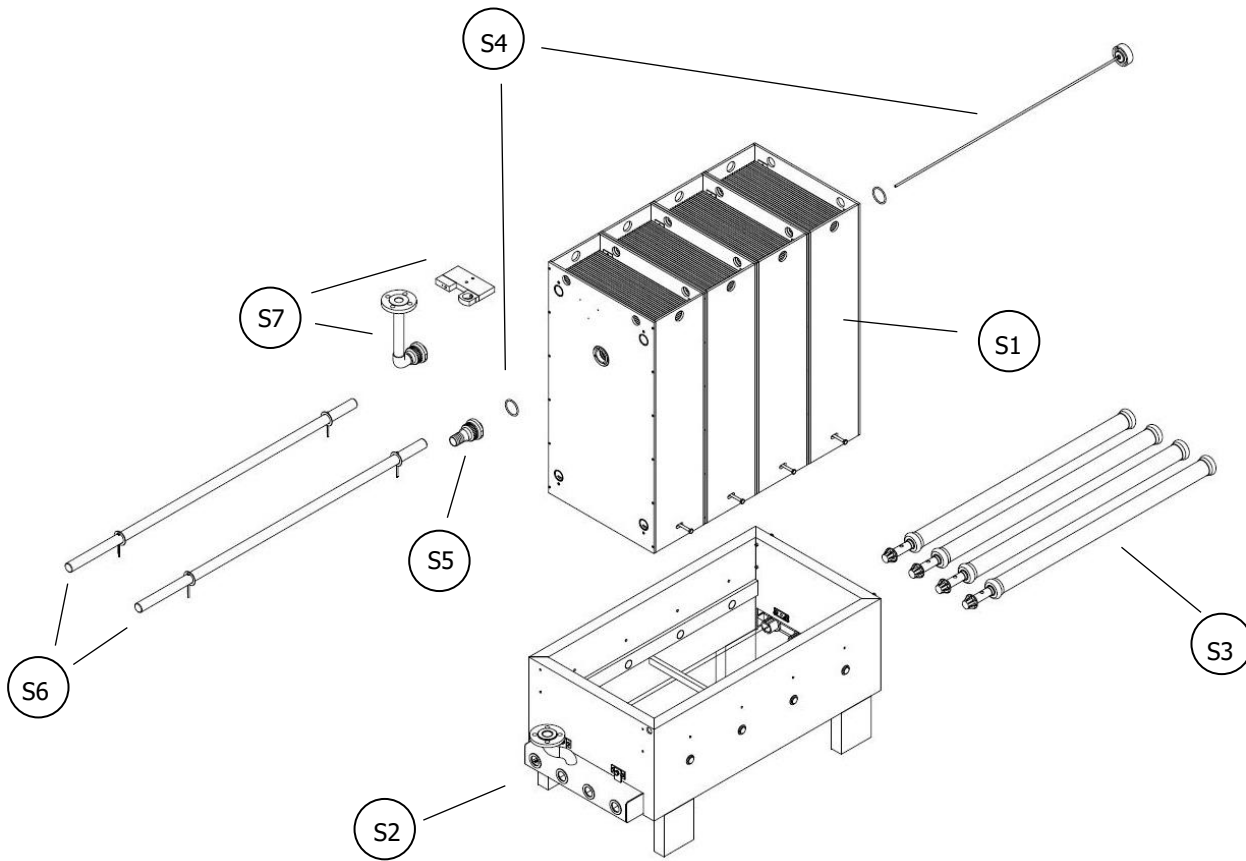


Figure 5. BIO-CEL® 104 exploded drawing showing available spare parts

## Contact

Europe  
Germany: +49 611 962 6001  
Italy: +39 0721 1796201  
info@microdyn-nadir.com

Americas  
USA: +1 805 964 8003  
sales.mnus@microdyn-nadir.com

Asia  
Singapore: +65 6457 7533  
China: +86 10 8413 9860  
waterchina@mann-hummel.com