

BIO-CEL® EASY

Scope of Supply, Accessories, & Spare Parts

BIO-CEL EASY Scope of Supply

BIO-CEL® EASY is a small but mighty MBR system built for customers whose water treatment needs fall into the 10 – 100 m³/d 'sweet spot' for the modules. This simple and efficient MBR module is easy to design, assemble, connect, move, and expand in any customer facility. The BIO-CEL EASY module fits perfectly in the filtration tank: BIO-CEL EASY TANK. The perfect pair of tank and module ensures a plug-and-play experience.

The below table shows the different options for ordering BIO-CEL EASY. Details on shipping dimensions and weights are shown in table 2.

Table 1. Scope of supply

Part Number	Module Name	Comments
1000002984	BIO-CEL EASY	Steel frame made of SS304, permeate port with G ¾ " inner thread, air port with G 1 ½ " outer thread.
1000002941	BIO-CEL EASY Module + Tank	Modules steel frame and tank made of SS304, module installed in the tank with pipe connections. Tank permeate port with G ¾ " inner thread, tank air port with G 1 ½ " inner thread.

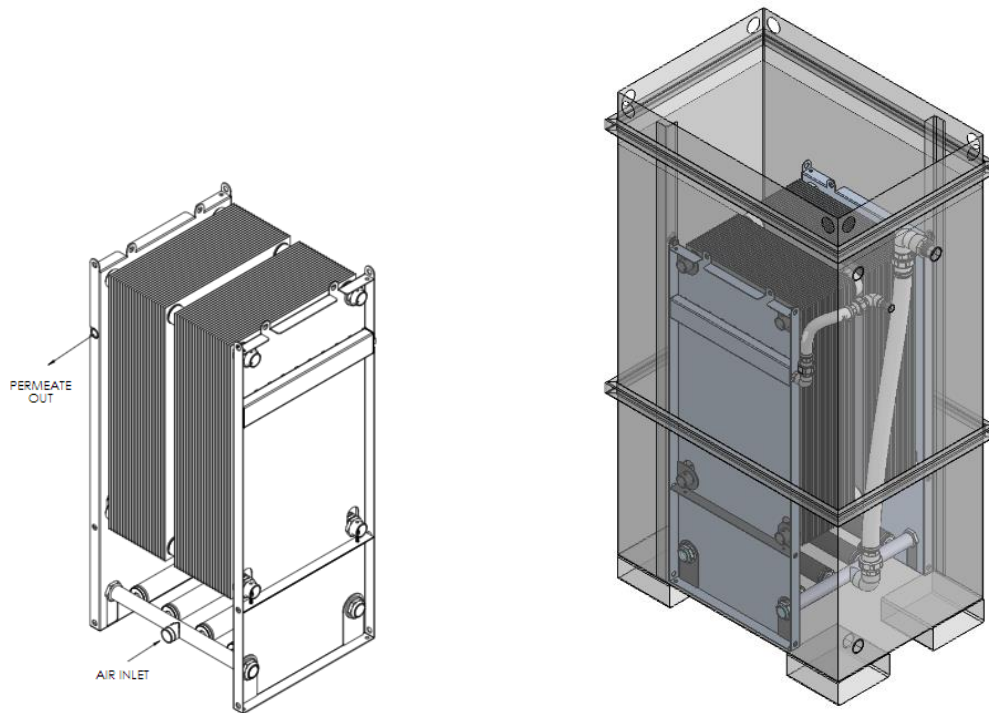


Figure 1. BIO-CEL EASY scope of supply - left 1000002983; right 1000002941

Packaging & Dimensions

Table 2. Shipment dimensions

	Length	Width	Height	Weight	Comments
BIO-CEL EASY (1pcs module shipped on pallette)	800 mm (2.6 ft)	645 mm (2.1 ft)	1567 mm (5.2 ft)	136 kg (300 lb)	Module packed in carton box and fixed to a pallette.
BIO-CEL EASY Module + Tank	1126 mm (3.7 ft)	766 mm (2.5 ft)	2036 mm (6.7 ft)	360 kg (794 lb)	Module installed in a tank. Tank can be lifted by forks or with chains via crane.

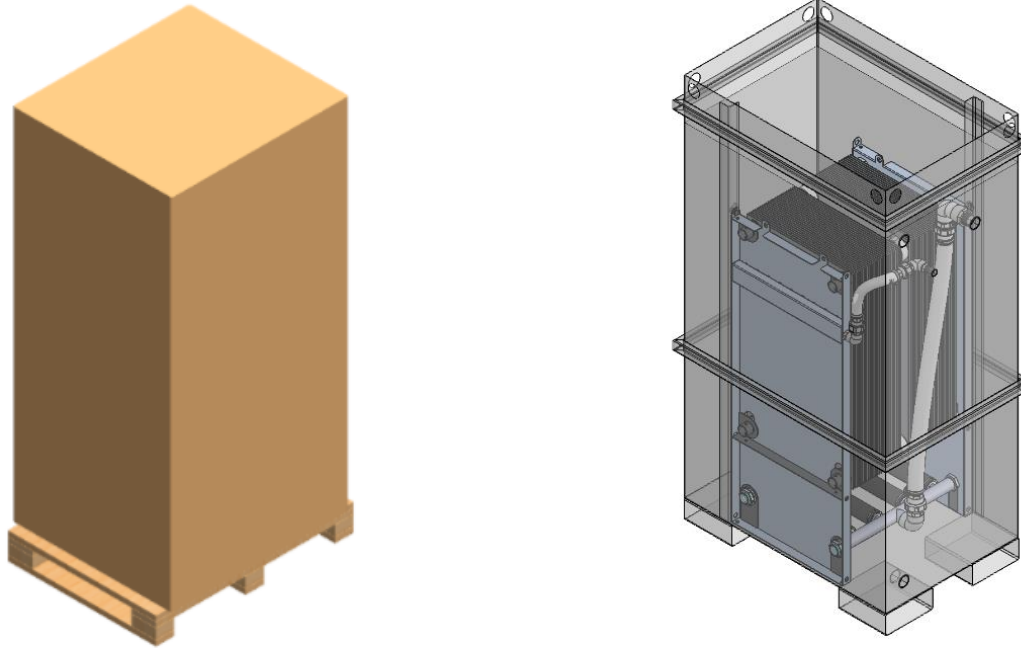


Figure 2. BIO-CEL EASY single shipment (left) and BIO-CEL EASY Module + Tank as shipped (right)

Regular container inner dimensions and shipping arrangement in container

Table 3. Container inner dimensions

	Length	Width	Height	Shipping capacity
20 ft container	5,898 mm (19.4 ft)	2,350 mm (7.7 ft)	2,392 mm (7.8 ft)	21 pcs. BIO-CEL EASY or 15 pcs. BIO-CEL EASY Module + Tank
40 ft container	12,032 mm (39.5 ft)	2,350 mm (7.7 ft)	2,392mm (7.8 ft)	42 pcs. BIO-CEL EASY or 30 pcs. BIO-CEL EASY Module + Tank
Door opening	-	2,340 mm (7.7 ft)	2,292 mm (7.5 ft)	

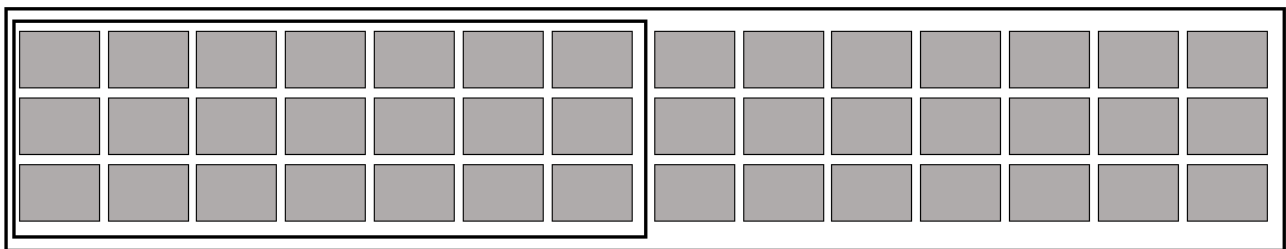


Figure 3. BIO-CEL EASY Module arrangement in 20/40 ft container (21 / 42 pcs capacity)

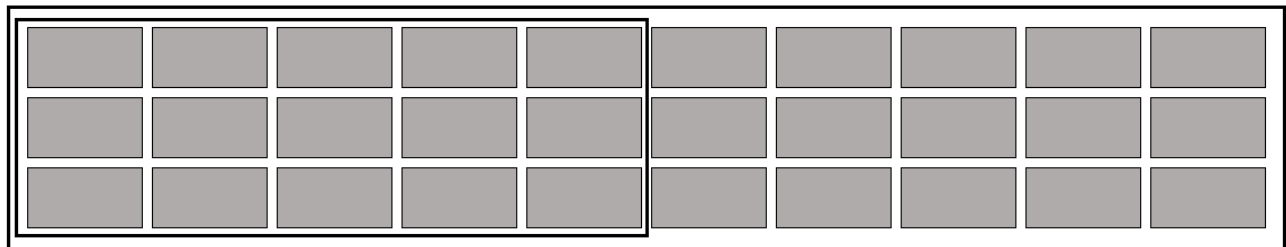


Figure 4. BIO-CEL EASY Module + Tank arrangement in 20/40 ft container (15 / 30 pcs capacity)

il 2 3 4 5 6 7
4 3 2 il 6 5

BIO-CEL EASY Accessories & Spare Parts

Table 4 and figure 6 show available accessories and spare parts. To ensure proper installation and operation of BIO-CEL EASY, certain accessories are necessary if the module is purchased not installed in the tank.

No spare parts are typically required for BIO-CEL EASY within the first five years of operation. If spare parts are needed, they may be ordered as per the below table.

Table 4. Accessories & spare parts

Position	Part Number	Spare Part	Remarks
1	1000002981	BIO-CEL EASY Membrane Stack	1 pcs membrane stack only, packed in a box. BIO-CEL EASY consists of 2 membrane stacks.
2	1000002987	BIO-CEL EASY Permeate Piping	Permeate piping for installation in standard BIO-CEL EASY tank
3	1000002986	BIO-CEL EASY Diffusor Set	Set of 4 diffusors including O-rings
4	1000002987	BIO-CEL EASY Permeate Piping	Permeate piping for installation in standard BIO-CEL EASY tank
5	1000002943	BIO-CEL EASY Tank	Steel tank made of SS304 including steel parts to fix the BIO-CEL EASY in the tank.

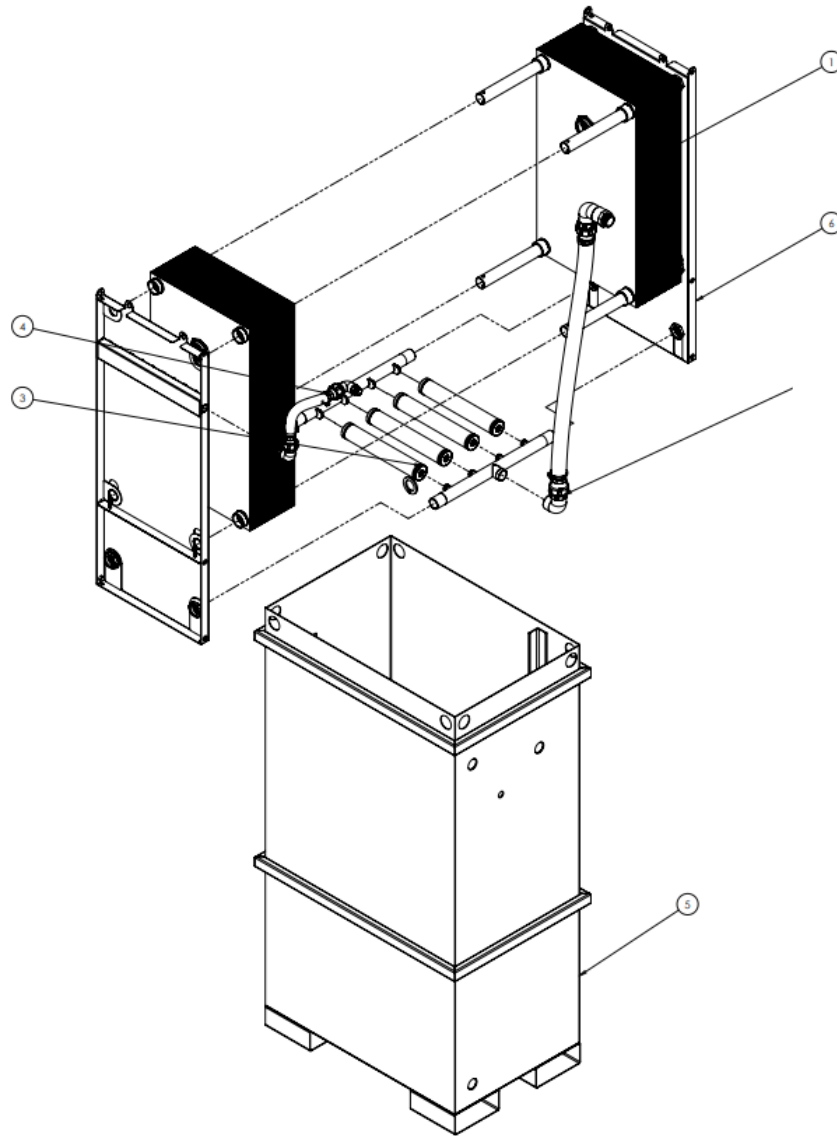


Figure 6. BIO-CEL EASY accessories & spare parts

Contact

Europe

Germany: +49 611 962 6001
Italy: +39 0721 1796201
info.wfs@mann-hummel.com

Americas

USA: +1 805 964 8003
sales.mnus@microdyn-nadir.com

Asia

APAC: +65 6457 7533
info.wfs@mann-hummel.com
China: +86 10 8413 9860
waterchina@mann-hummel.com