

# ULTRADYN™ FB02-FC-FUS0181

## Ultrafiltration Modules

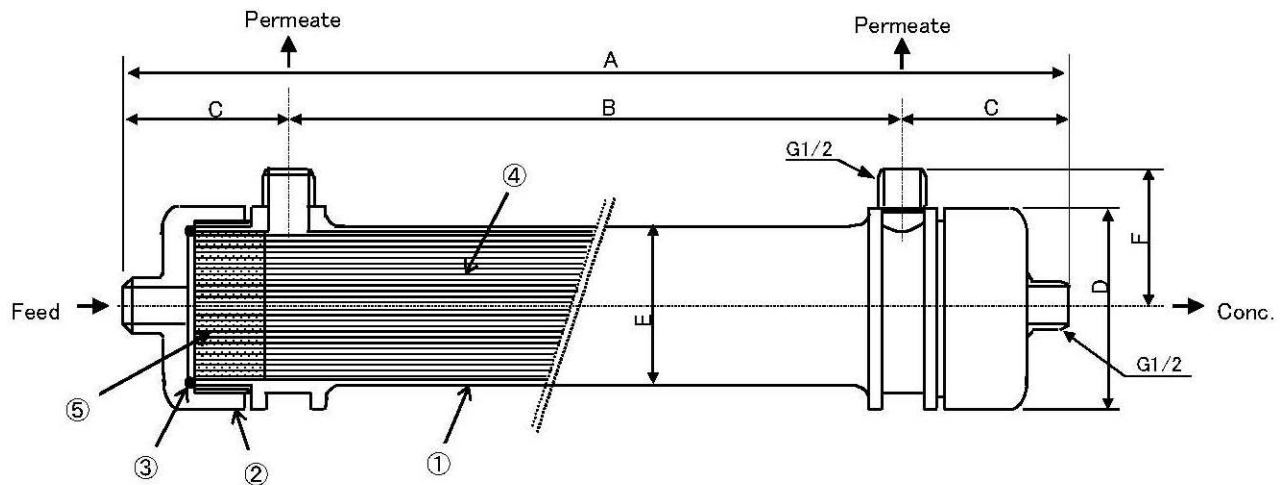
High mechanical strength, backwashable membrane in a wide range of membrane types make ULTRADYN™ hollow fiber modules suitable for all applications requiring a high level of purification and high packing density. ULTRADYN modules are available with polyethersulfone (PES), polyacrylonitrile (PAN) and cellulose tri-acetate (CTA) hollow fiber membrane types and in configurations that can be sterilized with hot water up to 98 °C, eliminating bacterial growth and preventing fouling.

ULTRADYN modules are available with a hollow fiber inner diameter range from 0.5 to 1.4 mm, and module size range from 0.1 m<sup>2</sup> to 17 m<sup>2</sup>. ULTRADYN hollow fiber modules have proven particularly successful in applications such as wine filtration, pure water filtration, pharmaceuticals, electronics, and surface water treatment.

### MEMBRANE CHARACTERISTICS

<b>Membrane Chemistry</b>	Polyethersulfone (PES)
<b>Molecular Weight Cut-Off</b>	10,000 Dalton
<b>Hollow Fiber Inner Diameter</b>	0.8 mm

### PHYSICAL DIMENSIONS



	A	B	C	D	E	F
<b>Dimension - mm</b>	<b>356</b>	<b>250</b>	<b>53</b>	<b>Ø 60</b>	<b>Ø 45</b>	<b>42</b>

Item	Description	Material	Quantity
1	Hollow Fiber	Polyethersulfone	-
2	Cap	Polysulfone	2
3	Case	Polysulfone	1
4	O-Ring type AS568-239	Fluoro-rubber (FPM)	2
-	Potting Resin	Epoxy Resin	-

**OPERATING PARAMETERS & MODULE SPECIFICATIONS**

<b>Membrane Area</b>	0.25 m <sup>2</sup> (2.69 ft <sup>2</sup> )
<b>Standard Water Flux<sup>a</sup></b>	130 l/h (0.57 gpm)
<b>Shipping Water Flux<sup>a</sup></b>	90 l/h (0.39 gpm)
<b>Maximum Feed Inlet Pressure<sup>b</sup></b>	4 bar (58 psi)
<b>Maximum Transmembrane Pressure</b>	3 bar (44 psi)
<b>Maximum Temperature</b>	98°C (208°F)
<b>Applicable pH range</b>	1 - 13
<b>Standard Inlet Feed Flow<sup>c</sup></b>	690 l/h (3.038 gpm)
<b>Operating Weight</b>	0.9 Kg (1.98 lb)
<b>Shipping Weight</b>	0.4 Kg (0.88 lb)
<b>Standard Preservative</b>	Pure water (heat sterilized)
<b>Feed/Conc. Connectors</b>	G1/2
<b>Permeate Connectors</b>	G1/2

a Initial water flux by dead end filtration with pure water under TMP 0.1 MPa at 25°C.

b Standard condition is adjusted to 1 m/sec feed velocity. The optimum velocity is different for each application.

c This value is applicable at 25°C.

d Maximum pressures depend on operating temperature. See instruction manual for further information.

\* DAICEN Membrane Systems Ltd. is the manufacturer of the ULTRADYN modules and markets and distributes them under the registered trademark MOLSEP®.

**CUSTOMIZABLE SPECIALTY ELEMENTS**

MANN+HUMMEL Water & Fluid Solutions offers a full range of membranes and element designs for challenging water and process applications. Technologies include low-fouling RO, submerged UF, continuous high temperature, ultra-high pressure, unique sanitary designs and more. Contact us to customize a product that satisfies your specific requirements.

**Contact**

**Europe**

Germany: +49 611 962 6001  
 Italy: +39 0721 1796201  
 info@microdyn-nadir.com

**Americas**

USA: +1 805 964 8003  
 sales.mnus@microdyn-nadir.com

**Asia**

Singapore: +65 6457 7533  
 China: +86 10 8413 9860  
 waterchina@mann-hummel.com