

ProCEM

MCE 1200-25-019-030



MEMBRANE

	Technical Specifications
Membrane length	1200 mm
Outer diameter MCE	25.4 mm
Inner diameter channel	3.3 mm
Pore size/MWCO	30 nm
Number of channels	19
Support material	Al ₂ O ₃
Coating material	Al ₂ O ₃
Membrane surface	0.24 m ²
Cross section area	162.5 mm ²
Weight	1.1 kg
Clean water flux	400 LMH @ 25 °C

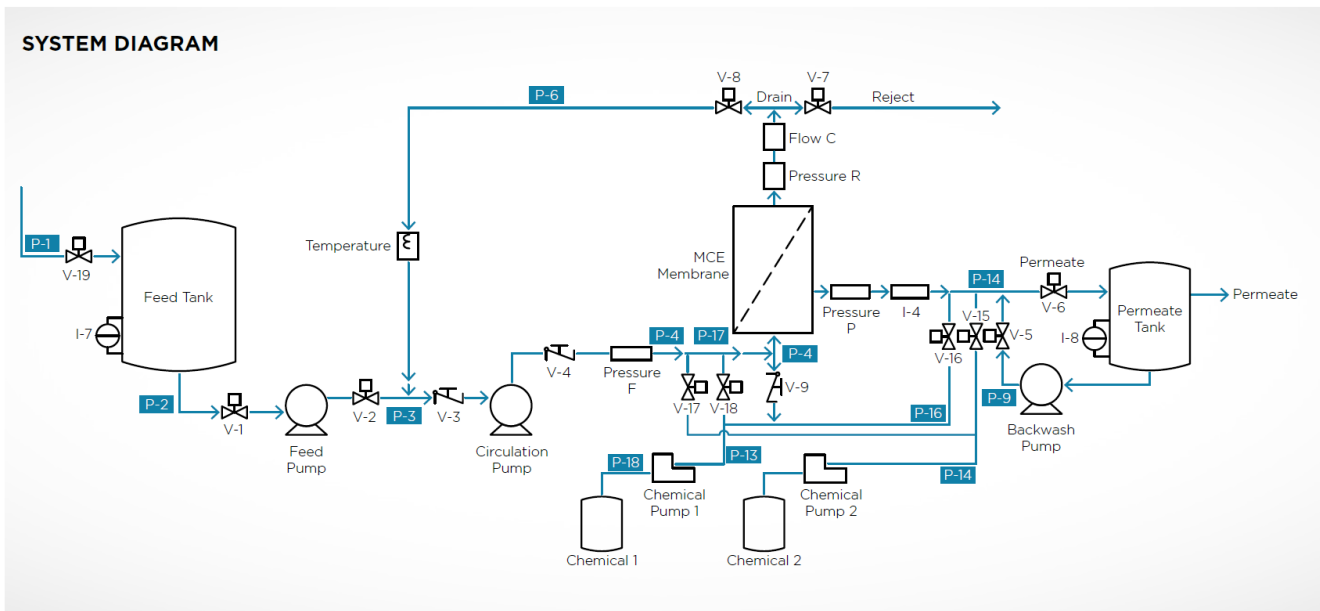


HOUSING AND SEALING

	Technical Specifications
Housing length	1209 mm
Housing diameter	168.3 mm
Housing material	316 Ti
Number of membranes	13
Total membrane surface	3.07 m ²
Total cross section area	2112.59 mm ²
Permeate connection	2 x 1" Victaulic
Feed & retentate connection	2 x 6" Victaulic
Weight	32.5 kg
Membrane sealing diameter	Ø 25.4 x 3.5 mm
Membrane sealing material	EPDM, NBR, Viton, PTFE, Silicone

OPERATION SPECIFICATION

	ProCEM MCE 1200-25-019-030
Temperature	5 – 100 °C
pH	0 – 14
System pressure	0 – 10 bar
Transmembrane pressure	Max. 20 bar
Volume flow	15 – 45 m ³ /h
Cross flow velocity	2 – 6 m/s
Backwash pressure	Max. 5 bar
Backwash flow	4 – 10 m ³ /h
Cleaning agents	NaOCl, NaOH, citric acid
Cleaning frequency	Every 2 – 4 weeks



MANN+HUMMEL WFS reserves the right to change specifications without prior notification.

Contact

Europe
 Germany: +49 611 962 6001
 Italy: +39 0721 1796201
 info.wfs@mann-hummel.com

Americas
 USA: +1 805 964 8003
 sales.mnus@microdyn-nadir.com

Asia
 Singapore: +65 6457 7533
 China: +86 10 8413 9860
 waterchina@mann-hummel.com