

BIO-CEL® XL-2

Submerged MBR Module for Wastewater Treatment

The BIO-CEL® MBR series is ideal for biological wastewater treatment in industrial and municipal applications. BIO-CEL MBR combines the benefits of traditional hollow fiber and plate and frame configurations without any of their inherent disadvantages. The module has an extremely high packing density due to the thin and self-supporting membrane sheets, and the laminate offers a self-healing mechanism.

MEMBRANE CHARACTERISTICS

Membrane	NADIR® UP150
Membrane Polymer	Polyethersulfone (PES)
Nominal Pore Size	0.04 µm
Preservative	Glycerine 20 % / Sodium benzoate 3 %

MODULE SPECIFICATIONS

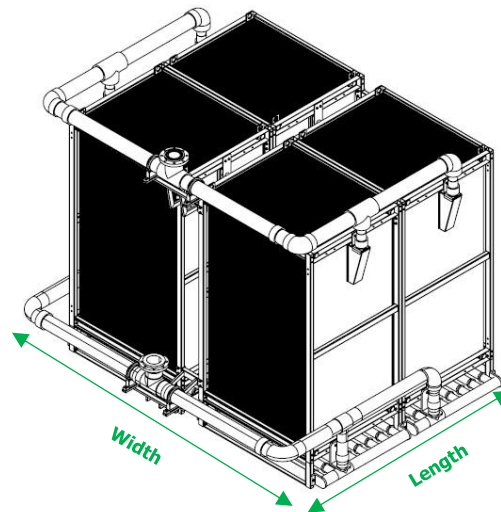
Housing Material Options	Stainless Steel 1.4301/304 (V2A) On request: SS 1.4571/316Ti (V4A)
Drainage Layer	Polyester (PET)
Diffusors Material Options	Membrane hose: Silicone (SI) Support tube: Polypropylene (PP)
Nominal Membrane Area	1920 m ² (20667 ft ²)

OPERATING PARAMETERS

pH Range	2.0 – 11.0
Temperature Range	5 – 40°C (41 – 104°F)
Maximum TMP during Filtration	- 400 mbar (-5.8 psi)
Maximum TMP during Regular Backwash	+150 mbar (+2.2 psi)
Recommended Air Scour Rate ^a	360 Nm ³ /h (212 SCFM)
Maximum Air Scour Rate ^a	460 Nm ³ /h (270 SCFM)
Recommended MLSS in MBR Tank	8 - 12 g/L
Maximum MLSS in MBR Tank	15 g/l
Maximum Particle Size in MBR Tank	2 mm
Total Chlorine Resistance	1,000,000 ppm•hr

^a Volumetric flow rate at standard conditions according to DIN ISO 2533:1979-12

PHYSICAL DIMENSIONS



Dry Weight ^d	680 kg (1500 lbs)
Wet Weight without Solids ^d	1260 kg (2780 lbs)
Maximum Load for Lifting ^{b, d}	3000 kg (6614 lbs)
Length ^e	2722 mm (8.9 ft)
Width ^e	3118 mm (10.2 ft)
Height ^e	2794 mm (9.2 ft)
Filtration Tank Minimal Water Level	3025 mm (9.9 ft)
Connection for Permeate ^c	Lapped flange DN125, PN10, PVC
Connection for Aeration ^c	Lapped flange DN125, PN10, PP

b Sludge deposit must be removed before lifting unit
 c Adapters available
 d Related to L-2 Double Cassette (960 m²); lifting just allowed for L-2 Double Cassette alone
 e Outer dimensions of BIO-CEL XL-2

IMPORTANT INFORMATION

Scope of Supply, Accessories & Spare Parts: Please see BIO-CEL XL-2 – Scope of Supply, Accessories and Spare Parts (TDS-WW025).

Storage & Handling: BIO-CEL MBR modules must be handled and stored appropriately to ensure proper operation and to prevent membrane damage. Please see BIO-CEL MBR – Storage Conditions (TB-WW002).

MANN+HUMMEL reserves the right to change specifications without prior notification.

Contact

Europe
 Germany: +49 611 962 6001
 Italy: +39 0721 1796201
 info.wfs@mann-hummel.com

Americas
 USA: +1 805 964 8003
 sales.mnus@microdyn-nadir.com

Asia
 APAC: +65 6457 7533
 info.wfs@mann-hummel.com
 China: +86 10 8413 9860
 waterchina@mann-hummel.com